

# Unicycle.com

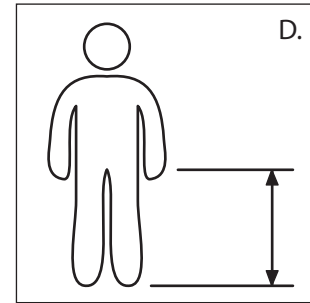
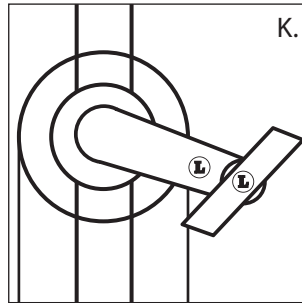
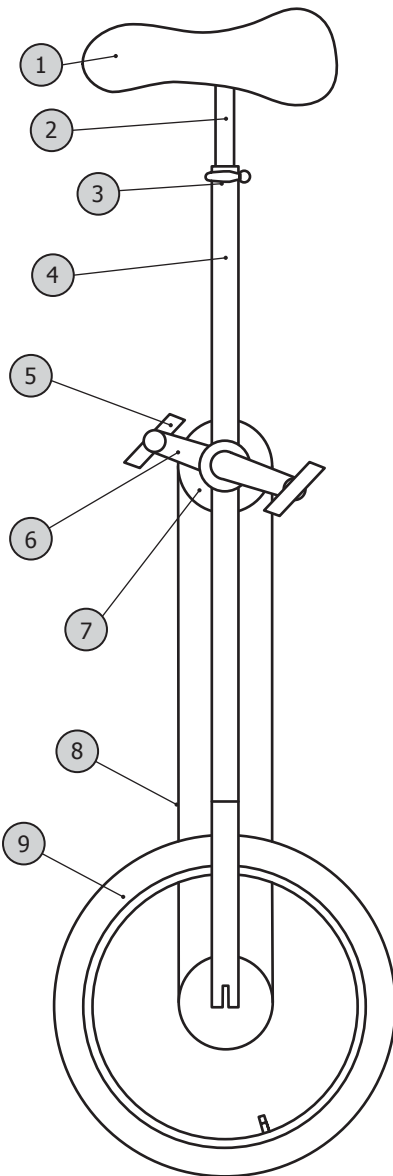
## What should be in your box

- Saddle (1) with Seatpost (2)
- Seatpost Clamp (3)
- Frame (4)
- Pedals (5)
- Cranks (6) with Sprocket (7)
- Chain (8)
- Wheel (9)

You are going to need a bicycle pump (Schrader Valve) and a 15mm Wrench

## Assembling your Club Giraffe Unicycle

- Fit the quick-release seatpost clamp on to the frame with the slots facing to the rear of the unicycle.
- Insert the seat and seatpost into the frame. The rear of the seat is wider than the front and should be facing in the same direction as the slot in the frame. Set and tighten the quick-release by lifting the lever and holding it vertical, then tighten the thumb screw on the opposite side until it is finger tight. Pull the quick-release lever down to lock it in position. If it is too hard to pull the lever down slacken the thumb screw a little; if it does not hold the seat securely (i.e it can twist) - release the lever and tighten the thumb screw a bit more and then repeat the process.
- The chain should already be correctly tensioned, but you should always check its tension before riding. It should have about 1/2" movement in it when you press in its centre. To adjust the chain tension loosen the wheel nuts, screw or unscrew the chain tensioner as necessary, when the chain is correctly tensioned re-tighten the wheel securely. Spin the wheel to check that there are no tight spots on the chain and that it rotates freely.
- Fit the pedals onto their correct cranks by matching the letter on the cranks with those on the pedals. The chainwheel should be on the right hand side. Tighten VERY firmly using your 15mm wrench (the left hand crank has a reverse thread so tightens counter-clockwise).
- Pump your tyre up, remember you will be putting all your weight on this single wheel, so pump it up more than you would your bike.



## Warning

- Always treat giraffes with care. Dismounting can be dangerous, you should always be aware of obstacles near you when riding and especially when dismounting.
- When learning to ride a giraffe it is advisable to use a spotter to assist you.
- Always try to catch the unicycle when dismounting, repeated dropping of the frame on the floor will cause damage to the seat and frame.
- Always check that all the nuts and bolts are tightened correctly before riding.
- Always wear safety gear.

## Things that can go wrong

Unicycles are pretty durable but they do need maintaining, here are things to look out for:

- Loose pedals; normally found when riding or by holding the pedal and wiggle it. Tighten immediately! Check that the wheel is fitted in the frame the correct way around. Riding on loose pedals will destroy the cranks.
- Loose cranks; this is normally characterised by a creaking noise. Tighten the axle bolt immediately! If this is left loose it will destroy the crank and hub and to all intent and purpose the unicycle.
- Tight or loose bottom brackets (the spindle that the cranks are attached to). Occasionally the bearings require either tightening or slackening. This can be observed by either excessive movement on the cranks or by the cranks not moving freely. Re-tensioning of the bearings requires specialist tools that can be found at your local cycle store.
- Damaged chains. Tight and slack spots on the chains during rotation are normally caused by stretched or worn chains. Replace chain if this happens as it will wear the sprocket and chain rings.
- Lubrication of chain. Should there be signs of rust or if the chain should appear dry it should be lubricated. The chains should be lubricated with light oil; it should then be "dried" with a cloth to remove any excess.