

Nimbus Unicycles

What should be in your box

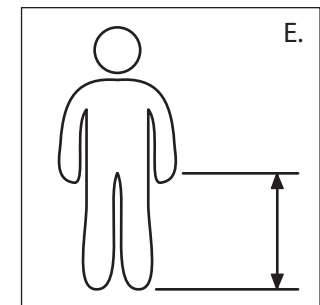
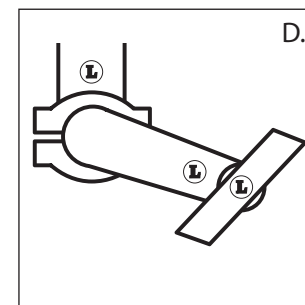
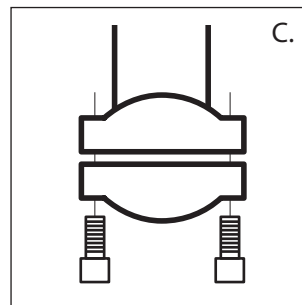
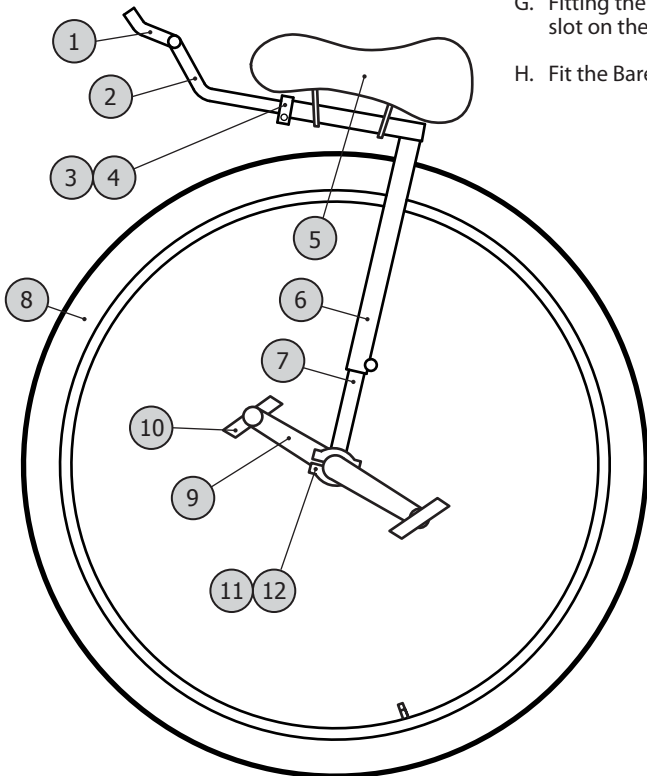
- Bar-ends (1)
- Handle (2)
- Bar Clamp (3) with Shim (4)
- Frame (5) with Saddle (6)
- Frame Legs - x2 (7)
- Wheel (8) with Cranks (9)
- Pedals (10)
- Bearing Clamps (11)
- Allen Key Bolts (12)
- Allen Key & Wrench

You are going to need a bicycle pump (Car Valve).

Your unicycle comes in kit form and should only take 15 minutes to assemble. Firstly determine that you have all the components listed, if you are short contact your supplier immediately.

How To build your Unicycle

- Take the frame (5) with saddle (6) already attached. Insert the frame legs (7) into the bottom of the frame making sure they are level both sides, tighten allen key clamps to secure the legs. These will be adjusted later to set the seat height.
- Fit the wheel (8) into the frame assembly; be sure you have the right hand crank (9) on the right hand side of the unicycle when it is facing forward.
- Install the bearing clamps (11) using the allen bolts and washers (12). Tighten with a 5mm allen key. Do not over tighten; they only need to be tight enough to hold the wheel in place without it rattling. The wheel should spin easily; if it does not, loosen the bolts until it does.
- Fit the pedals (10) onto their correct cranks (9) by matching the letter on the cranks with those on the pedals. Tighten firmly using your 15mm spanner (the left hand crank has a reverse thread).
- Pump your tire up, remember you will be putting all your weight on this single wheel, so pump it up more than you would your bike.
- Now set the seat at the right height for you. When sitting on the unicycle with the your heel on the pedal your leg should be straight. Loosen the frame leg allen key bolts and move the frame and saddle to increase and decrease the height of the unicycle.
- Fitting the handle this is only needed for experienced riders. Place the handle clamp (3) over the front of the frame. The slot on the clamp should line up with the slot on the frame. Insert the shim (4) inside the frame/clamp. Insert the handle (2) in to the shim/frame and tighten the clamp using the allen key.
- Fit the Barends on to handle ends, tighten with allen key. Adjust the handle length and position to suit your riding style.



Things that can go wrong

Unicycles are pretty durable but they do need maintaining, here are things to look out for:

- Loose pedals; normally found when riding or by holding the pedal and wiggle it. Tighten immediately! Check that the wheel is fitted in the frame the correct way around. Riding on loose pedals will destroy the cranks.
- Loose cranks; this is normally characterised by a creaking noise. Tighten the axle bolt immediately! If this is left loose it will destroy the crank and hub and to all intent and purpose the unicycle.
- Loose or tight bearing holder bolts; it is most common to find these too tight and the wheel not spinning correctly. Loosen them to free the wheel, after a few minutes of use check that they are still tight enough to ride safely.
- Wheel not centered in the frame; loosen the allen keybolts on one of the legs so that it is free to slide then move the tire in to the middle of the frame. Tighten the allen keybolts.