

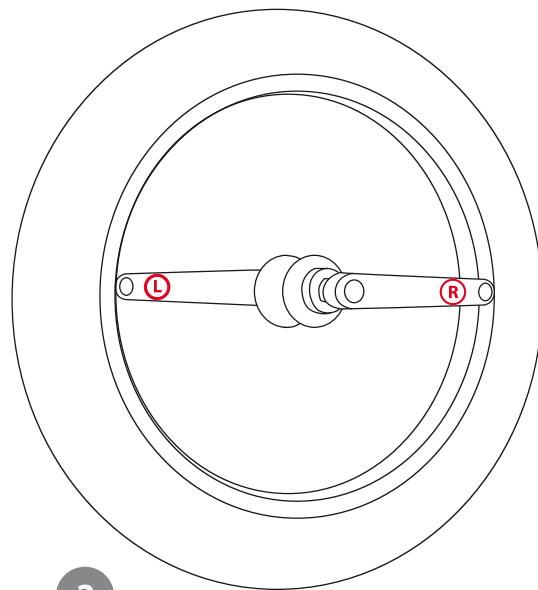
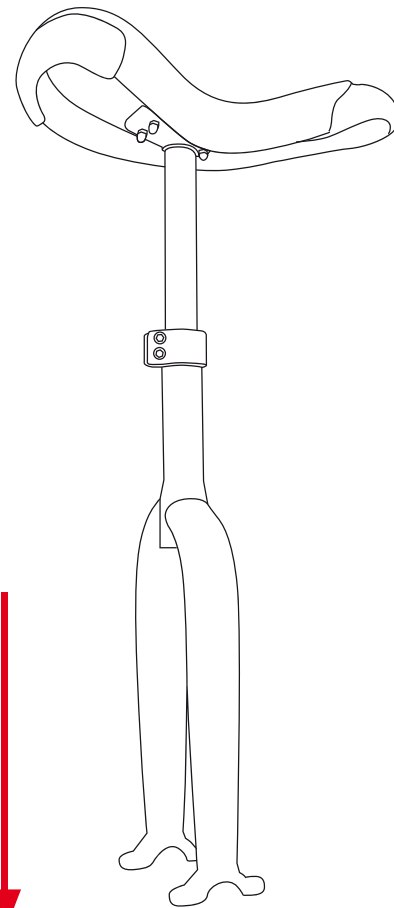
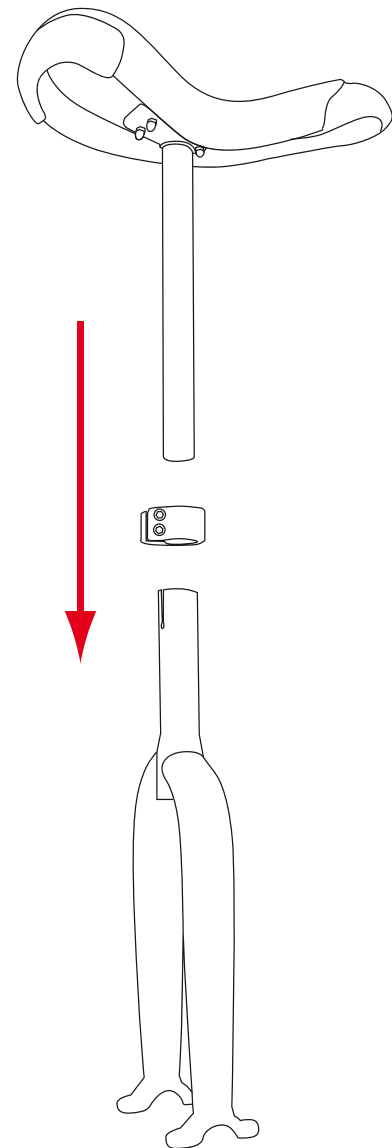
READ ME FIRST

Follow the seven deadly advice to ensure maximum enjoyment from your IMPACT unicycle!

1

Saddle assembly

Seatpost clamp must be tightened correctly!
If the seatpost clamp is not tight enough the seatpost will twist, if it is too tight the seatpost will be bent out of shape.



2

Frame position on the wheel

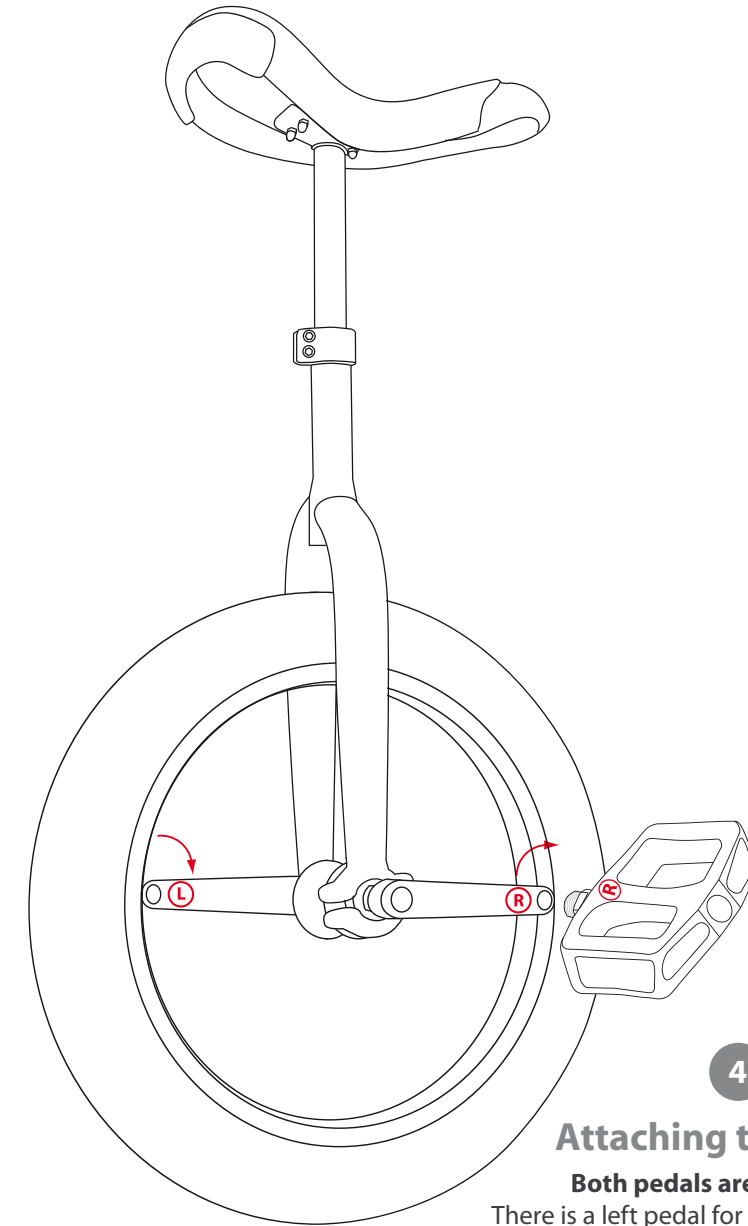
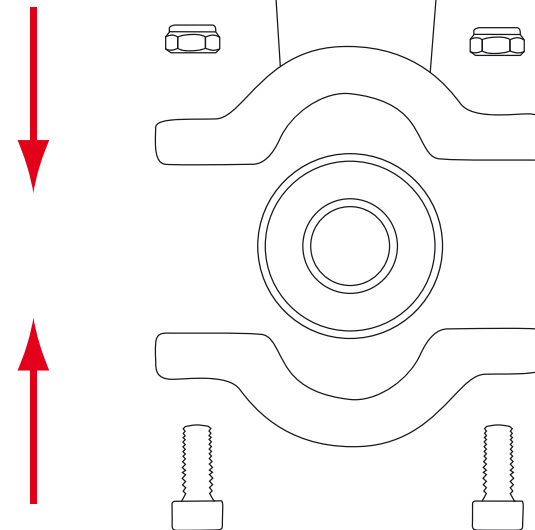
Direction of the wheel and frame are important!
The back of the frame has a slot for the seat clamp. There is an ® and an ℒ on the cranks to show the wheel sides.

Building

3

Attaching the wheel

Frame bolts must be tightened correctly!
If the bearing housings are too tight it will damage the bearings and the wheel will not turn correctly. If it is not tight enough there will be some loose movement.



4

Attaching the pedals

Both pedals are not the same!
There is a left pedal for the left crank ℒ and there is a right pedal for the right crank ®. If the wrong pedal is screwed into the wrong crank, the thread will be damaged. Do not be confused. Turn right to tighten the right pedal and turn left to tighten the left pedal.

Maintenance

5

Loose is forbidden

Never ride with loose components!
You will definitely damage your equipment if you continue to practice with a part that is not tightened correctly. A simple check with the correct tool will help to prevent any unnecessary damage.

6

Spokes tension & crank set

Spokes should not be noisy!
It is normal for spokes to become loose from time to time. Tighten them to avoid the risk of a bent rim. You should also rotate the cranks on the wheel hub often to limit asymmetrical wear of the rim and tyre.

7

Greasing & pressure

The right tyre pressure is essential!
If the tyre does not have enough pressure the rim can touch the ground; if the tyre is over inflated it will not absorb shock like it needs to. Adequate lubrication on threads and bearings will help to prevent rust.

