

Nimbus Unicycles

What should be in your box

- Saddle (1) with Seatpost (2)
- Straight Frame - x2 (3)
- Pedals (4)
- Centre Frame (With cranks) (5)
- Quick Releases - x4 (6)
- Wheel Forks (7)
- Wheel (8)
- Pair of short chains (9)
- Pair of long chains (10)
- Pedal Wrench

You are going to need a bicycle pump, (Car Valve) a 15mm Wrench and 4mm Allen Key.

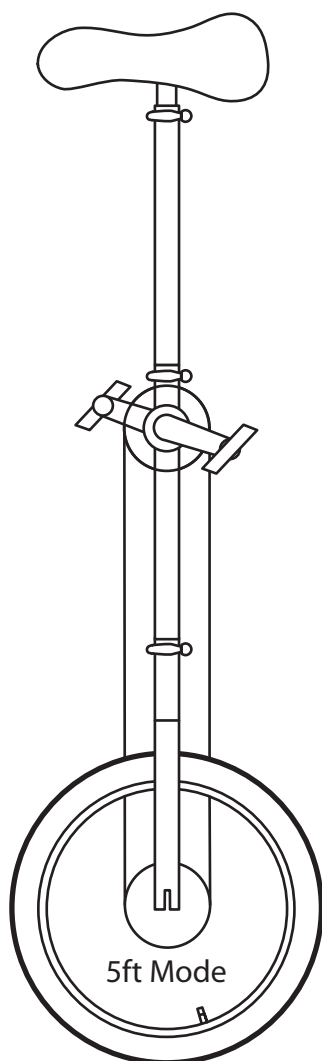
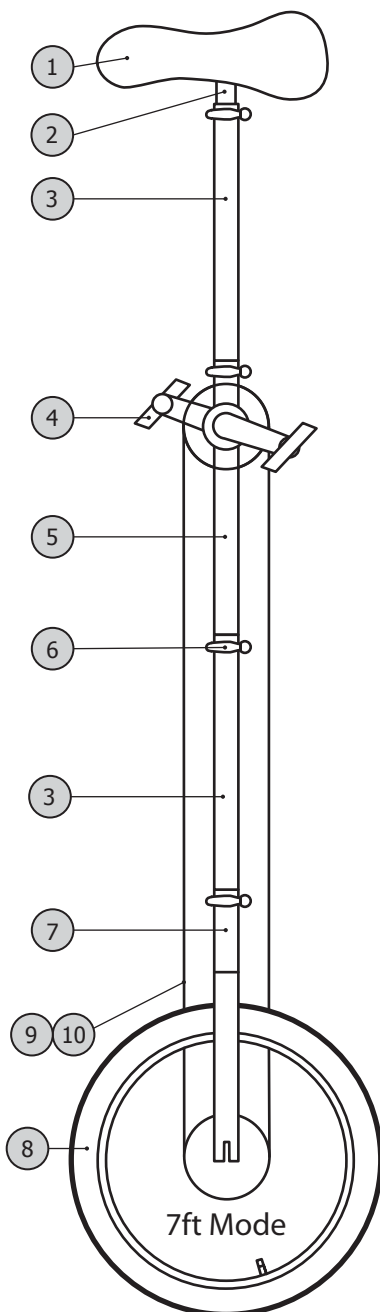
Your Nimbus giraffe is designed as a dual height compact performer's giraffe. With practice it can be assembled and disassembled in minutes to be packed way into a suitcase or box for transporting.

What you need to put your unicycle together, 10mm wrench, Pedal wrench, 5mm and 4mm allen key and bicycle pump (Schrader Valve).

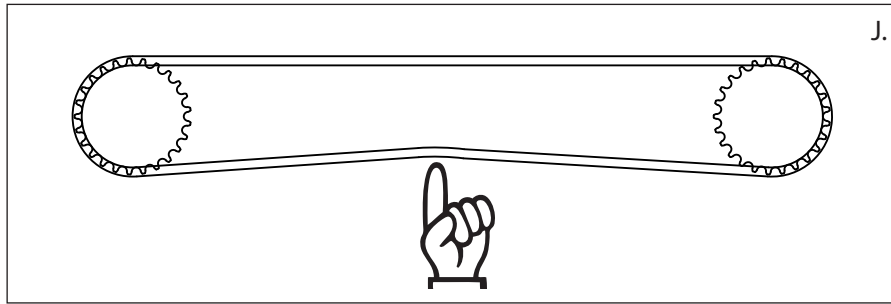
The Nimbus Performer Giraffe as supplied can be assembled as a 5 foot or 7 foot mode. These instructions will detail assembly of both heights. Nimbus Unicycles can supply additional sections and chains so you can build the

Assembling your Nimbus Performer Giraffe

- A. Your unicycle comes in kit form and should only take 15 minutes to assemble. First, determine that you have all the components. If there are any parts missing, contact your dealer immediately.
- B. Fit one quick release lever through the lugs provided on the ends of the straight, wheel frame sections & centre section.
- C. Assemble the frame:
 - For a 5 foot giraffe assemble the frame section in the following order; straight section, centre section (with cranks) and wheel fork section.
 - For a 7 foot giraffe assemble the frame section in the following order; straight section, centre section (with cranks) and wheel fork section.
- D. Insert the seat with seatpost into the frame. Set and tighten all the quick-releases by lifting the lever and hold it vertical, then tighten the thumb screw on the opposite side until it is finger tight. Pull the quick-release lever down to lock them in position. If it is too hard to pull the lever down slacken the thumb screw a little; if it does not hold the seat solid - release the lever and tighten the thumb screw more and then repeat the process.
- E. Prepare the wheel for assembly. Loosen the 15mm nuts on the wheel until they are near the end of their threads. Loosen the bolts on the chain tensioners until they are near the end of their adjustment.
- F. Invert the frame so that the seat is on the floor and the wheel fork section is pointing upwards. Now slide the wheel into the forks. The chain tensioners and wheel nuts should be on the outside of the forks. Allow it to slide to the bottom of the slots (not stopped by the tensioners).
- G. Select the appropriate chains for height the of unicycle you are building and place them over the chain-rings and sprockets.
- H. Pull the wheel upwards and slide the tensioners over the end of the frame. Be careful to keep both chains on the chain-rings and sprockets and making sure the wheel is straight. Then tighten the 15mm wheel nuts by hand.
- I. Using the allen key provided tighten the bolts on the chain tensioners. Work on tensioning both chains at the same time; tighten each bolt a couple of turns at a time. The chains are tensioned when both chains have about 1/2" movement in them when you press them in their centre. Spin the wheel to check that there are no tight spots on the chains and that it rotates freely.
- J. When assembling your unicycle for the first time you may find that the chains are unevenly tensioned from front to rear. The Nimbus design allows for fine chain adjustment. Loosen the 6 bolts on each of the chain-rings by a couple of turns while the chain is under tension. Rotate the wheel a couple of times then re-tighten. Should this not alleviate any uneven tension in the chain contact your dealer. Then tighten the 15mm wheel nuts using the spanner provided.
- K. Fit the pedals onto their correct cranks by matching the letter on the cranks with those on the pedals. Tighten VERY firmly using your 15mm spanner (the left hand crank has a reverse thread).
- L. Pump your tyre up, remember you will be putting all your weight on this single wheel, so pump it up more than you would your bike.



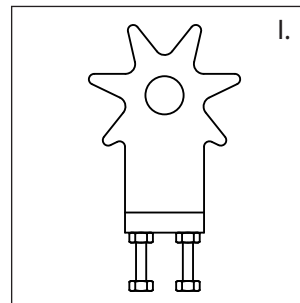
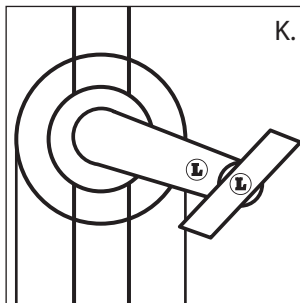
Nimbus Unicycles



Things that can go wrong

Giraffe Unicycles are pretty durable, but they do need maintaining. Here are things to look out for:

- Loose pedals; normally found when riding or by holding the pedal and wiggling it. Tighten immediately! Check that the saddle is the correct way around relative to the cranks. Riding on loose pedals will destroy the cranks.
- Loose cranks; this is normally characterised by a creaking noise. Tighten the axle bolt immediately! If this is left loose it will destroy the crank and possibly the axle.
- Tight or loose bottom brackets (the spindle that the cranks are attached to). Occasionally the bearings require either tightening or slackening. This can be observed by either excessive movement on the cranks or by the cranks not moving freely. Re-tensioning of the bearings requires specialist tools that can be found at your local cycle store.
- Damaged chains. Tight and slack spots on the chains during rotation are normally caused by stretched or worn chains. Replace chain if this happens as it will wear the sprocket and chain-rings.
- Lubrication of chain. Should there be signs of rust or if the chain should appear dry it should be lubricated. The chains should be lubricated with light oil; it should then be "dried" with a cloth to remove any excess.



Warning

- Always make sure that all nuts and bolts are correctly tensioned before every ride.
- Always treat giraffes with care. Dismounting can be dangerous, you should always be aware of obstacles near you when riding especially when dismounting.
- When learning to ride a giraffe it is advisable to use a spotter to assist you.
- Always try to catch the unicycle when dismounting, repeated dropping of the frame on the floor will cause damage to the seat and frame.