

Nimbus Unicycles

What should be in your box

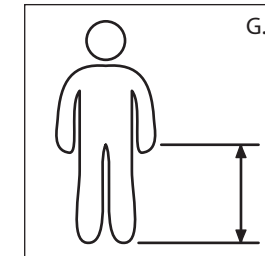
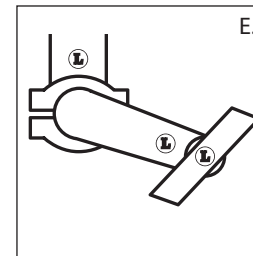
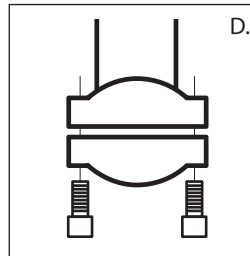
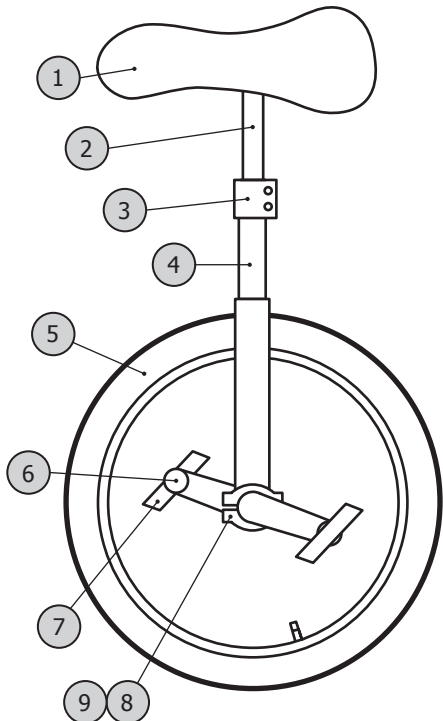
- Saddle (1) with Seatpost (2)
- Seatpost Clamp (3)
- Frame (4)
- Wheel (5) with Cranks (6)
- Pedals (7)
- 2x Bearing Clamps (8)
- 4x Bolts and Washers (9)
- Allen Key & Wrench (some models only)

You will need a bicycle pump (Car Valve)

Your unicycle will require some assembly and should take only 15 minutes to complete. First, determine that you have all the components listed and if not contact your supplier immediately.

How To build your Unicycle

- Take the frame (4) and slip the quick release or seatpost clamp (3) over the frame. The slot in the frame should line up with the slot in the clamp. This is the back of your unicycle. If your unicycle has a quick release clamp the lever should be on the right hand side.
- Insert the Seatpost (2) into the frame (4) and tighten up the clamp. If your unicycle has a quick release you tighten it by turning the nut on the other side to the lever - do not try to swivel the handle, as this will damage the clamp. For double bolt clamps tighten both bolts evenly using the supplied allen key, alternate from the top to the bottom bolt until both are tight and the seatpost does not twist.
- Fit the wheel (8) into the frame (4); be sure you have the right hand crank on the right hand side of the unicycle when it is facing forward.
- Install the bearing clamps (9) using the allen bolts and washers (10). Tighten using the 5mm allen key provided. Do not over tighten; they only need to be tight enough to hold the wheel in place without it rattling. The wheel should spin easily; if it does not, loosen the bolts until it does.
- Fit the pedal (7) into the correct crank (6) by matching the letter on the cranks with those on the pedals. Tighten firmly using your 15mm bicycle type pedal wrench (the left hand crank has a reverse thread).
- Use the valve on the tube to check that the tire is pumped up to the appropriate pressure. Tire pressure depends on personal preference. In general, tire pressures for freestyle or road riding should be very firm, while tire pressures for Muni and trials are somewhat lower. Experiment with this until you find a tire pressure that you like.
- Now set the seat at the right height for you. When sitting on the unicycle with your heel on the pedal your leg should be straight. If you cannot get your seat low enough, you will need to shorten the seatpost (2). This is best done with a pipe cutter, but you can use a hacksaw and file. Remove only what is needed. Always have at least 2 inches of the seatpost in the frame.



Things that can go wrong

Unicycles are pretty durable but they do need maintenance. Here are things to look out for in addition to checking for loose bolts:

- Loose pedals; found when riding or by holding the pedal, it will wobble. Tighten immediately! Check that the wheel is facing in the correct direction. Riding on loose pedals will destroy the cranks. These are not warranty applicable parts, so make sure to check your cycle regularly to avoid problems!
- Loose cranks are normally characterised by a creaking noise. Tighten the axle bolt immediately! If this is left loose it will destroy the crank and hub interface.
- Loose or tight bearing holder bolts; it is most common to find these too tight and the wheel not spinning correctly. If the bearing holders are left too tight for too long, the bearings and/or the bolts will break. Loosen them to free the wheel; after a few minutes of use check that they are still tight enough to stay on.
- Always check that all the nuts and bolts are tightened correctly before riding.
- Always wear safety gear. Safety is your own responsibility.